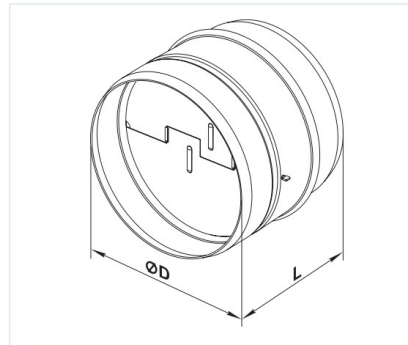


## אל חוזר למפוחי- KSB/VKM



### Overall dimensions:

Type	Dimensions [mm]		Mass [kg]
	ØD	L	
KOM / KOMu 100	99	80	0,18
KOM / KOMu 125	124	100	0,27
KOM / KOMu 150	149	115	0,38
KOM / KOMu 160	159	120	0,42
KOM / KOMu 200	199	145	0,63
KOM / KOMu 250	249	165	0,90
KOM / KOMu 315	314	190	1,31

### ■ Applications

Backdraft spring-loaded damper designed for automatic shutoff of the round ducts and preventing back draft of air when ventilation system is switched off. Damper vanes are opened with the pressure generated by air stream and are closed by the spring.

### ■ Design

The damper housing is made of galvanized steel and the vanes are made of aluminium sheet. The damper has two spring-loaded vanes.

### ■ Modifications

KOMu – damper with a special microporous rubber sealer for noise absorption during the damper operation and airtightness.

### ■ Mounting

The damper design ensures its mounting on the round air ducts by means of clamps. Ensure the vertical position of vane rotation axis. When installing the damper in the ventilation system the air stream direction shall be considered.