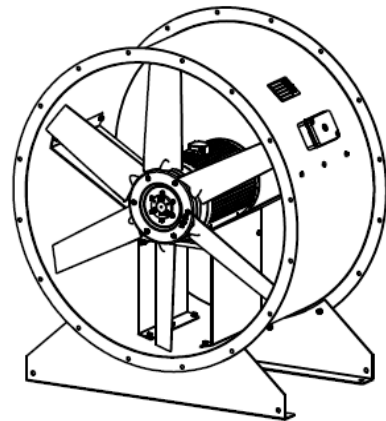
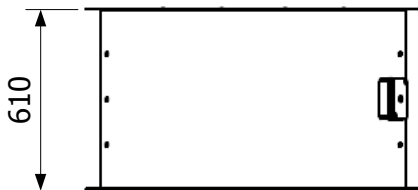
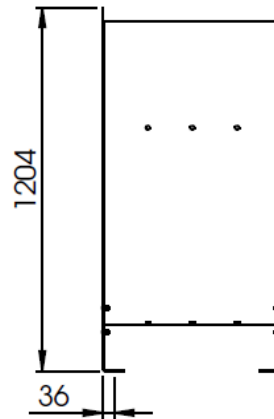
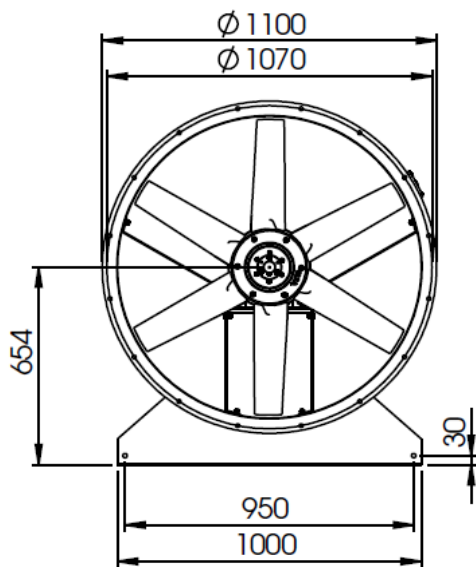




AIRVENT(AV)1000



Lazarov Street 5 ,New Industrial Area, Rishon Le Zion 75654, Israel
Tel: 00972-3-9617106 fax: 00972 3- 9616938 email: sagy@sagyvent.co.il